

SWISS CARBON

MARINE SYSTEMS

CARBON SWIM LADDER

P R O M E T H E U S



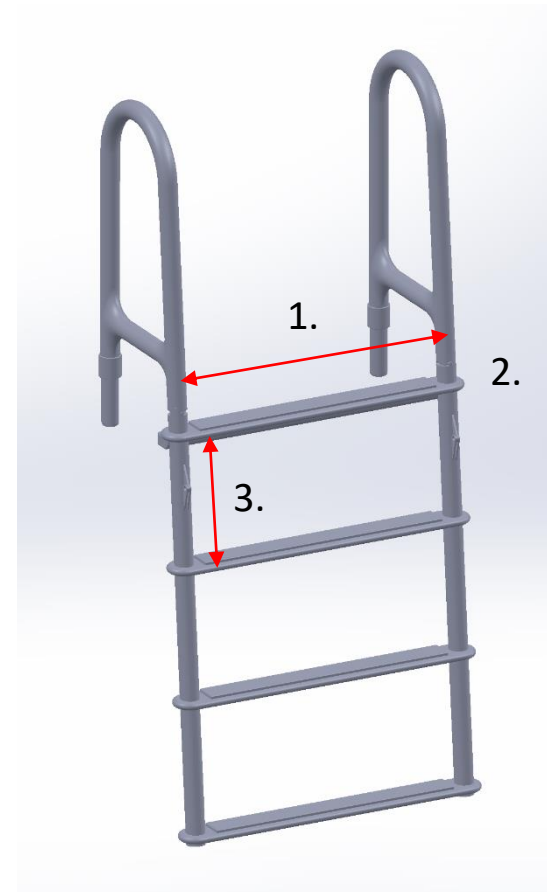
SWISS CARBON

MARINE SYSTEMS

P R O M E T H E U S



1. Step width (420mm, 500mm, 600mm, 760mm)
Step width to be measured center to center of deckbush!:
2. Number of steps:
3. Distance between steps (recommended:320mm):



1. Positive hull shape 2. Negative hull shape

H A N D R A I L S



1. Tender handrail 5° Hight: 520mm

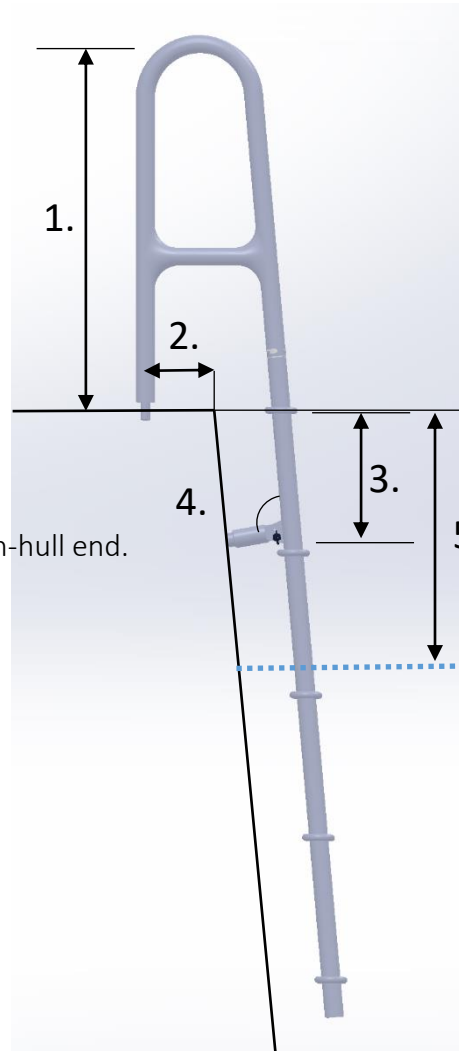
2. Superyacht handrail 5°

3. Superyacht handrail 0° Hight: 580mm

MEASUREMENTS

1. Frame height from deck
Max: 820mm
Min: 560mm

2. Distance center deckbush-hull end.



The handrails are normally foldable 90°

Handrails to be screwed (special deckbush required!).

First step on deck level

3. Distance in mm:

Distance holder position:

to touch the hull in 90° angle on a strong point of the hull.

4. Angle °:

5. Distance decklevel to

waterline °:

SWISS CARBON

MARINE SYSTEMS

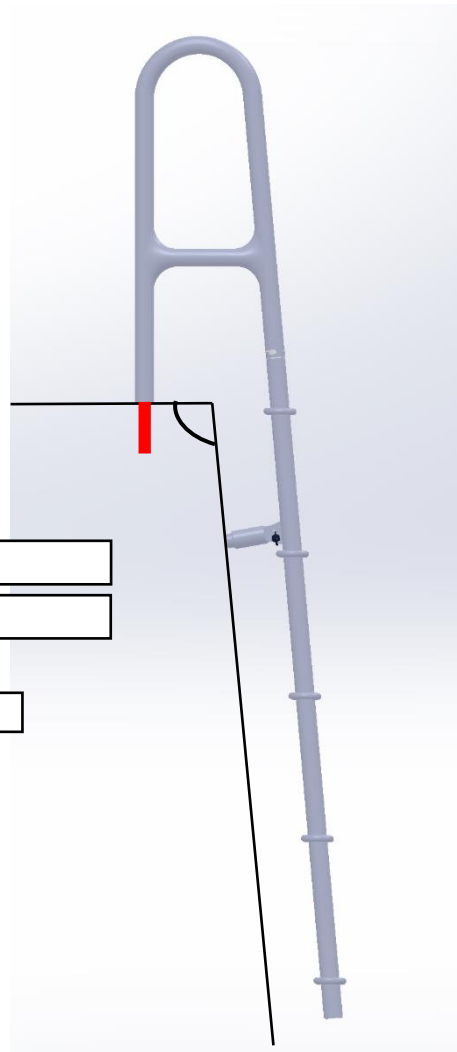
MEASUREMENTS

Deckbush measurements:

- Inside diameter in mm:

- Depth:

- To be delivered by Swiss Carbon

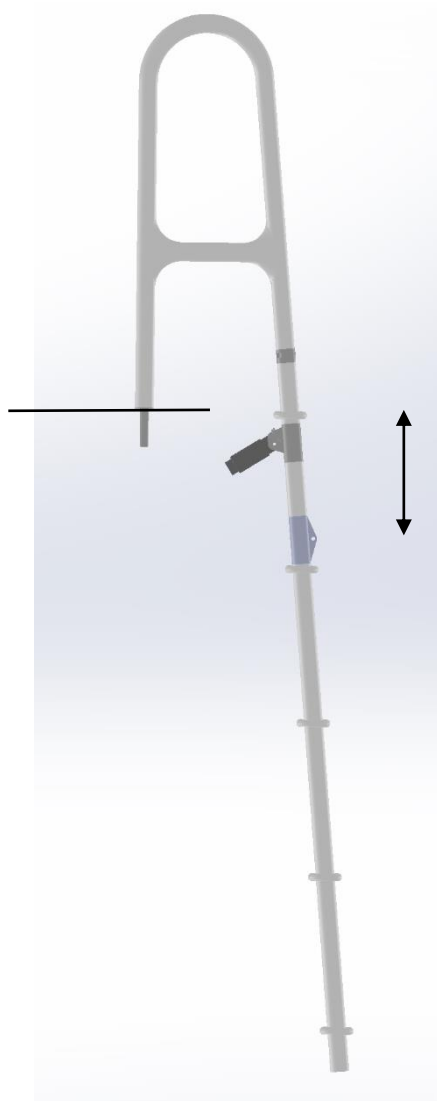


Angle deck- hull

SWISS CARBON

MARINE SYSTEMS

EQUIPMENT



Stainless steel equipment finish:

bead blasted

mirror polished

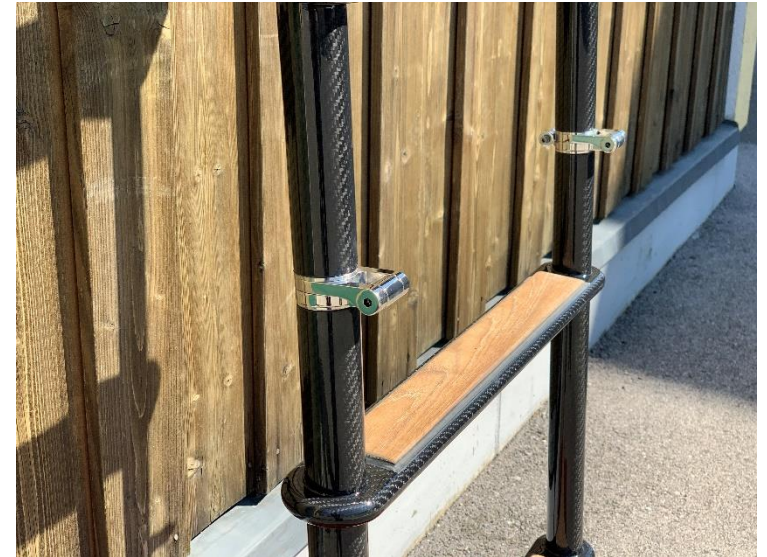
Step cladding:

Teak (5mm):

Anti skid:

Hinge Position in mm from deck level:

Extension (screwed) Position in mm from deck level:



SWISS CARBON

MARINE SYSTEMS

FINISH

Ladder finish

High gloss clear coated

Semi gloss clear coated (20% gloss)

Painted finish, AWL Grip, AWL Craft

Paint Code:

