

8

7

6

5

4

3

2

1

F

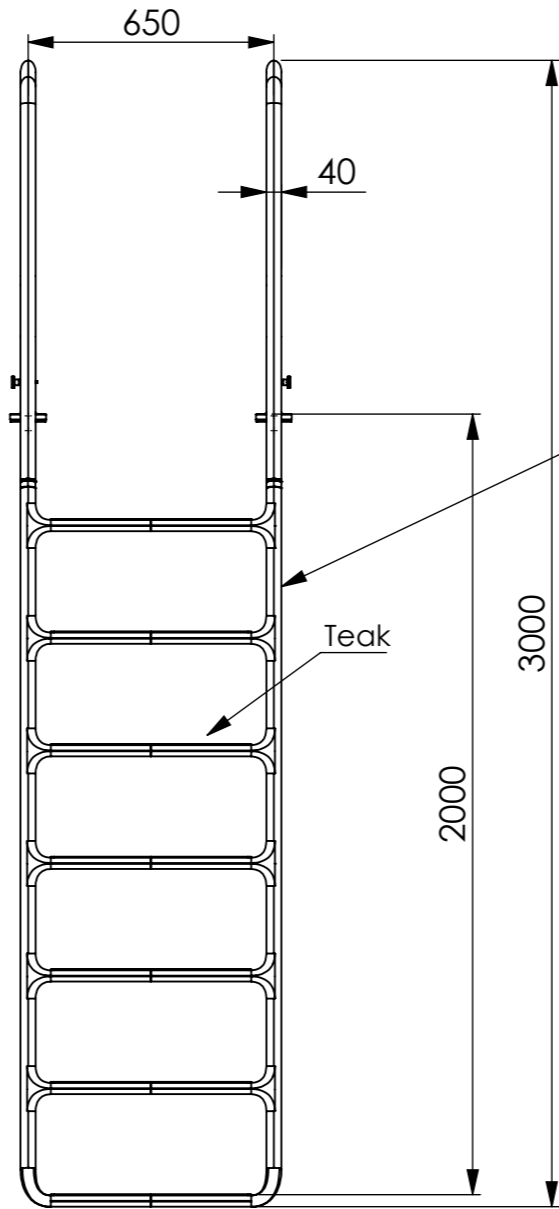
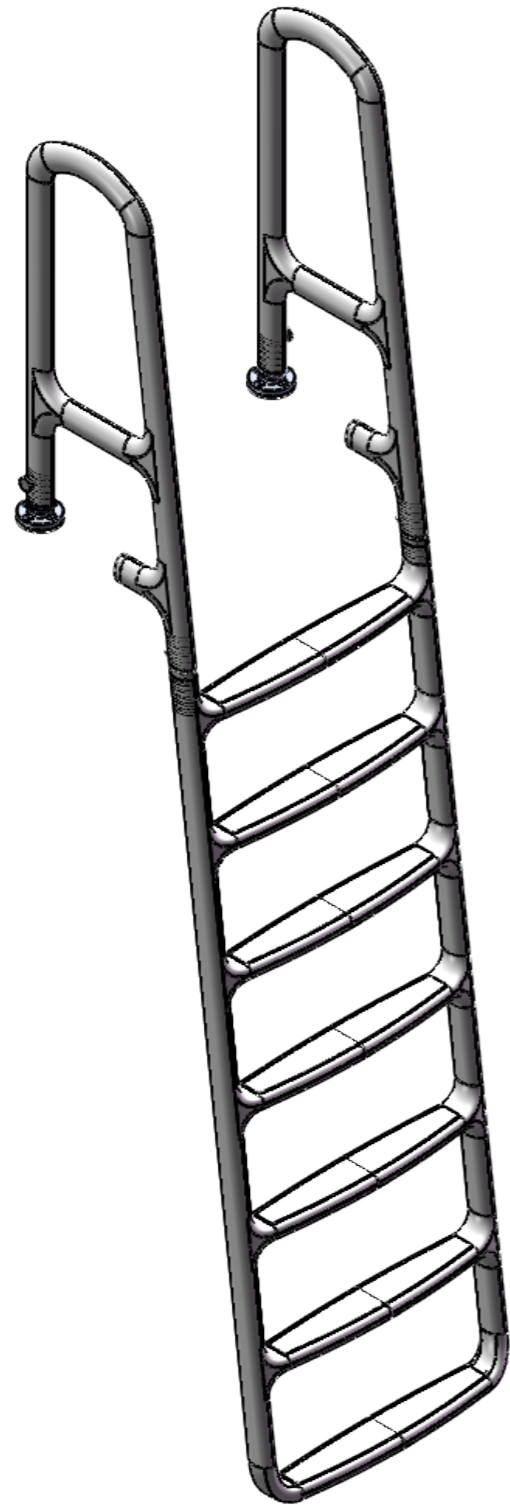
E

D

C

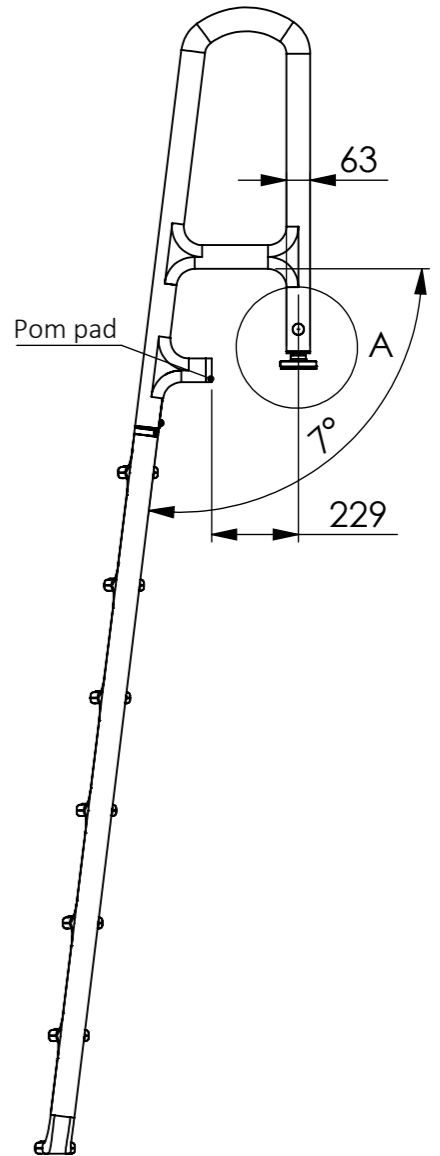
B

A



Carbon clear coated or painted finish

Teak

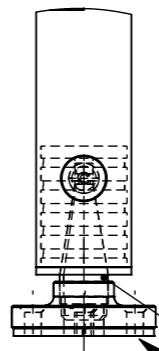


Pom pad

63

229

1°



Removable conus 316L polished

Deck socket 316L polished

Detail A (1 : 5)

SWISS CARBON MARINE SYSTEMS	Name	SeaMaster	Art.No.	2001
	Description	Carbon superyacht swim ladder		
	Weight	284.84 kg	Material	
	Projection method			Surface
General tolerances	-for steel components ISO 2768-cL -for machined parts ISO 2768-mK -for thread DIN 13-m		Status	IN ERSTELLUNG
Create:		P.Andres	Rev.	01
Edit:	29.10.2024	works	Scale	1:50
Released:		P.Andres	Ver.	01
Proprietary notice pursuant to ISO 16016 to be observed			Sheet	1 / 1

8

7

6

5

4

3

2

1

A3